

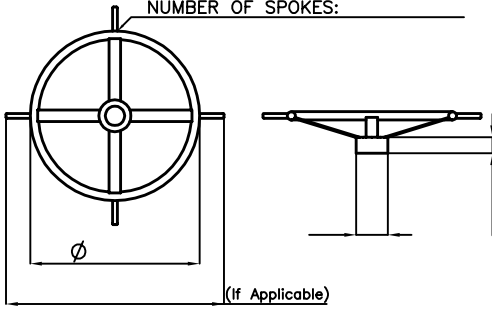
GATEVALVE FILL-IN SHEET

FORM. NF9M001-2
 CREATED BY: PP CHECKED BY:

SPECIFY SHAPE AND SIZE OF DRIVE BUSH

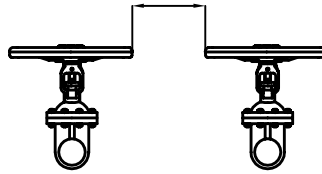
HANDWHEEL

NUMBER OF SPOKES: _____



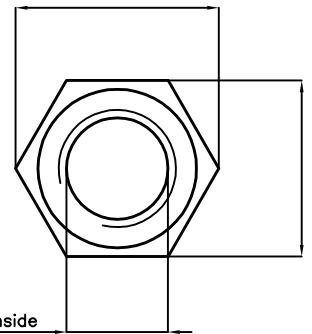
(If Applicable)

AVAILABLE SPACING BETWEEN HANDWHEELS F

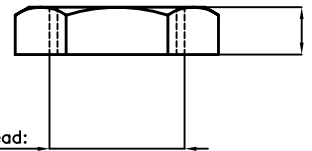


ONLY IF SPACING \leq 50 mm

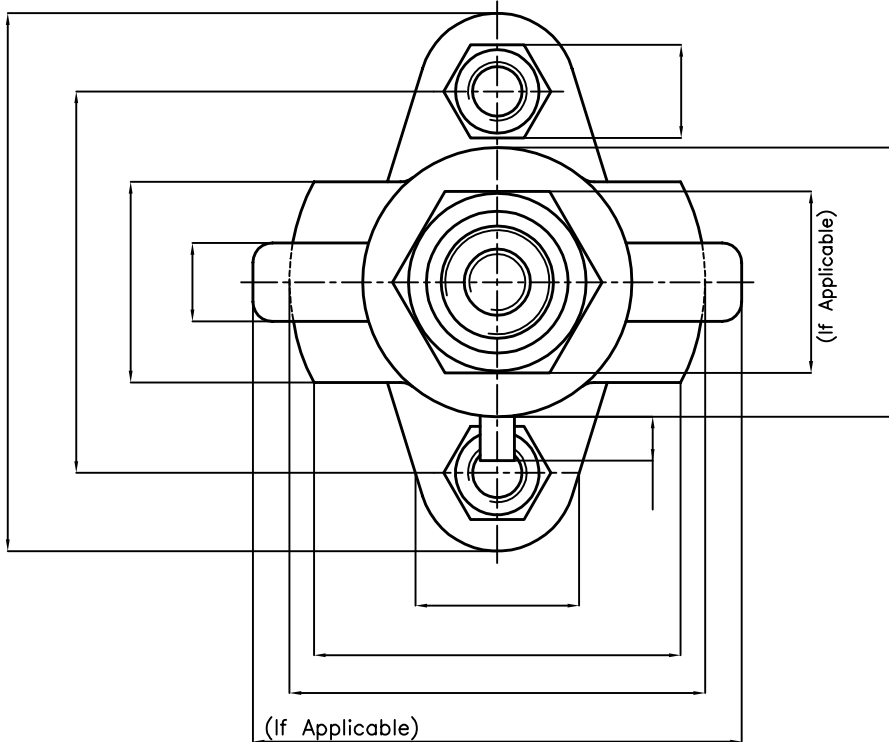
HANDWHEEL-NUT



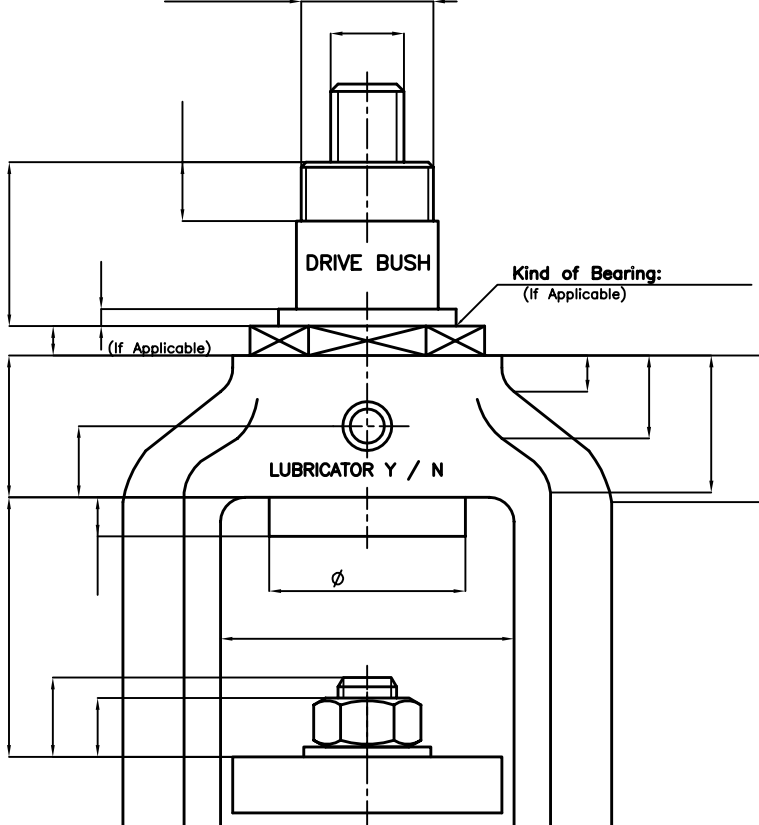
D inside



Kind of Thread:
 Pitch = _____



D outside:



CLIENT: _____

PROJECT: _____

P.O. No: _____

 D-63517 Rodenbach Tel. 06184-95070 <small>This drawing must not be copied, lent or used in whole or part without written consent of GST Systeme GmbH</small>	Make: _____	Measured by: _____	Checked by: _____	Date: _____	Valve / TAGno. _____
	Size: _____	Sketchnr. _____			
	Class: _____	Type: Gate/.....			