

BALLVALVE FILL-IN SHEET

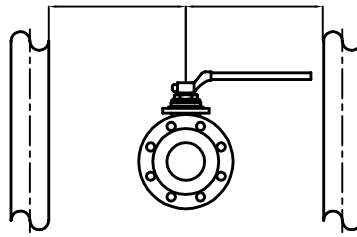
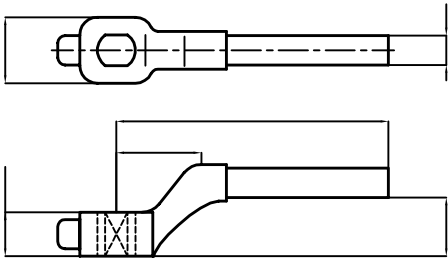
FORM. NF9M004-0

CREATED BY: PP CHECKED BY:

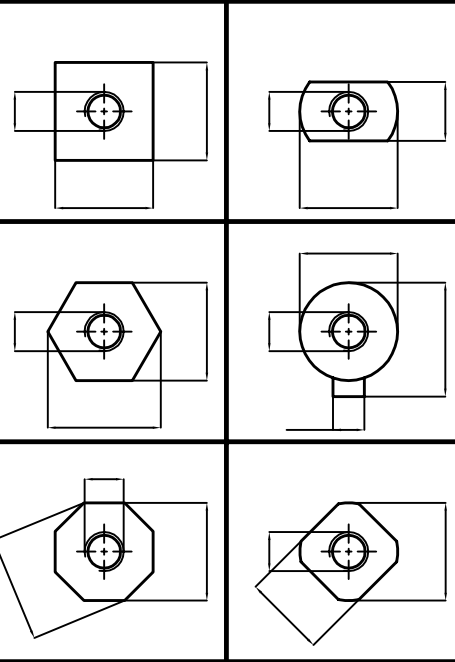
SPECIFY SHAPE AND SIZE OF STEM

LEVER (or WRENCH)

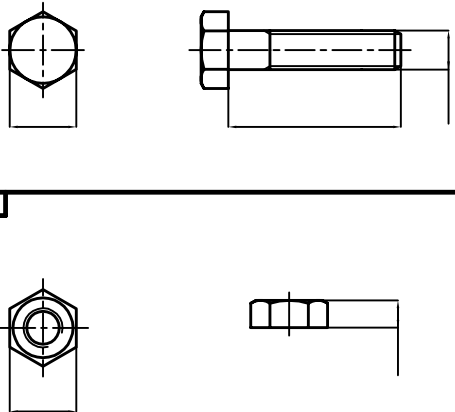
AVAILABLE SPACING BETWEEN VALVE AND PIPING



ONLY IF SPACING \geq LEVER + 50 mm

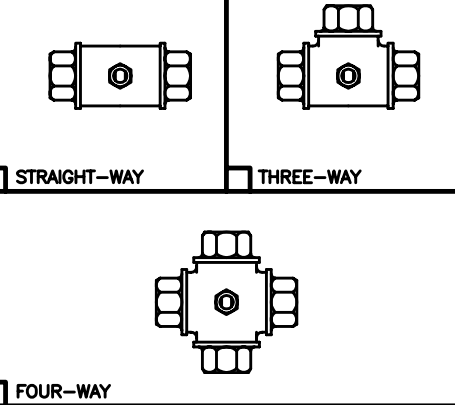


SPECIFY SORT AND SIZE OF LEVER-FASTENING

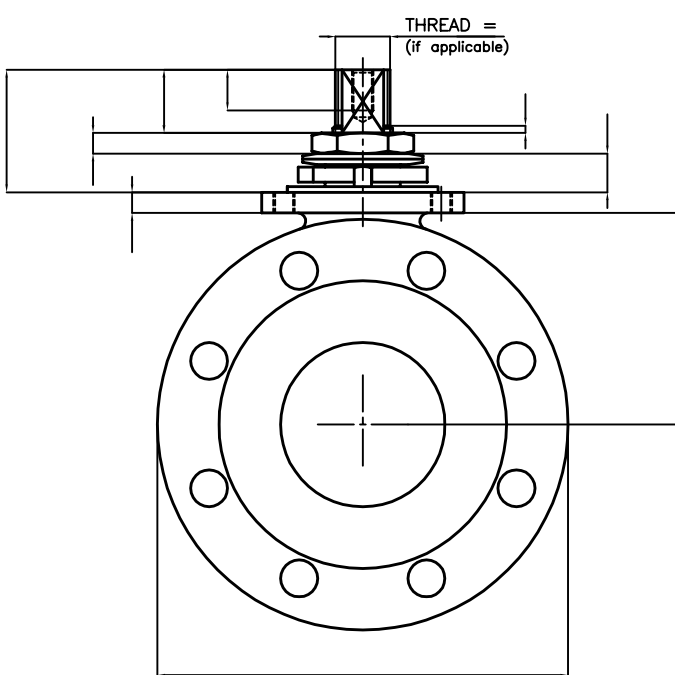
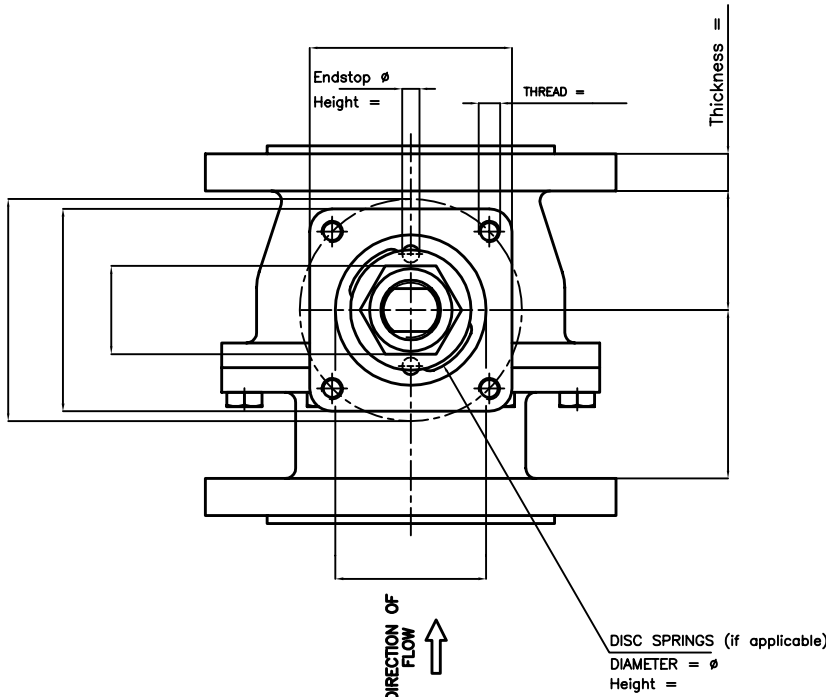


INDICATE APPLICABLE TYPE

90° -Turn 180° -Turn



CLIENT:
PROJECT:
P.O. No:



<p>D-63517 Rodenbach Tel: 06184-95070 This drawing must not be copied lent or used in whole or part without written consent of GST Systeme GmbH</p>	Make:	A	Measured by:	Checked by:	Date:	B	Valve / Tagno.	C
	Size:		Sketchnr.					
	Class:							
	Type: Ball /							