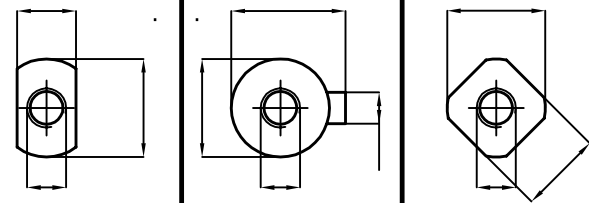


F SPECIFY SHAPE AND SIZE OF STEM

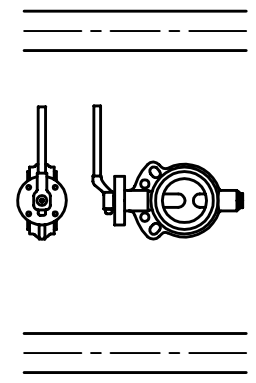


E SPECIFY SORT AND SIZE OF LEVER—FASTENING

- HEXAGON BOLT SIZE :
- HEXAGON NUT SIZE :
- CIRCLIP (PLEASE INDICATE IN DRAWING, POSITION OF CIRCLIP) SIZE :

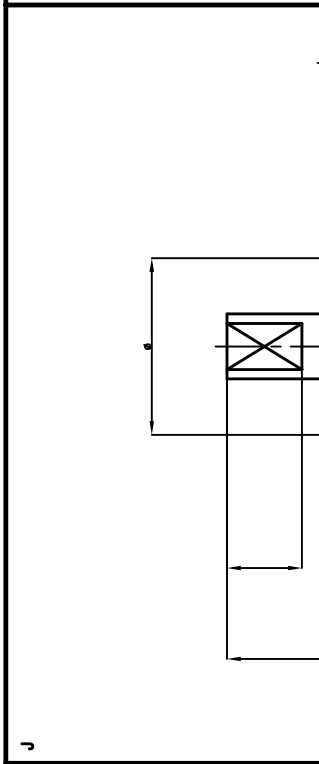
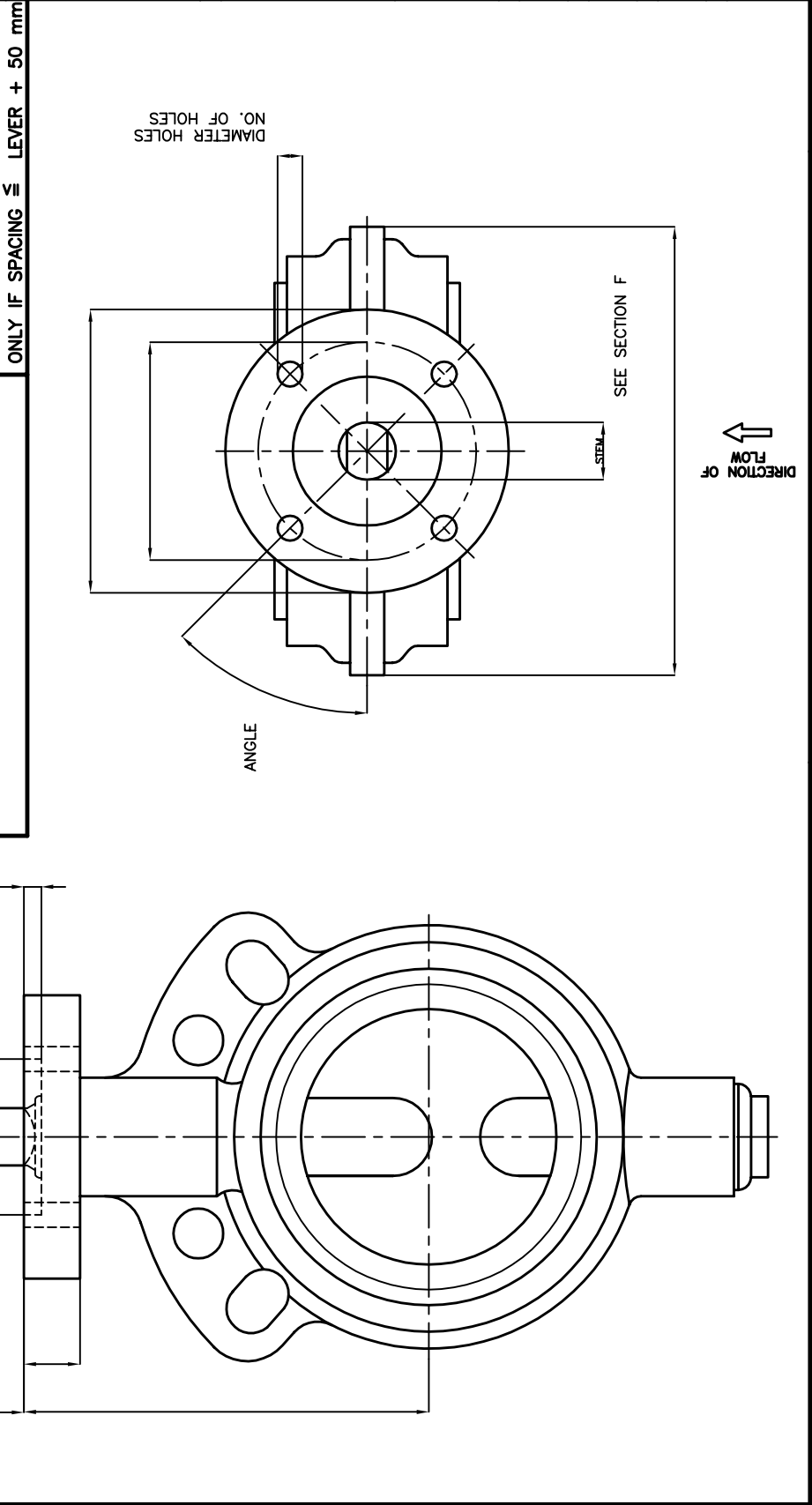
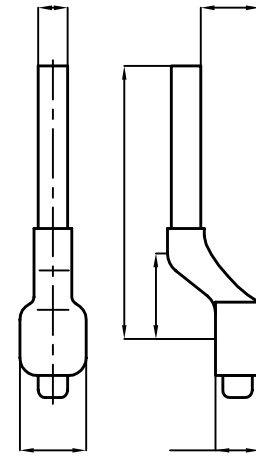
OTHER KIND OF FASTENING PLEASE INDICATE: SIZE :

G AVAILABLE SPACING BETWEEN VALVE AND PIPING



ONLY IF SPACING \leq LEVER + 50 mm

H LEVER (or WRENCH)



<p>J</p> <p>D-6317 Rodenbach, Tel. 06181-95070 This drawing must not be copied, lent or used without written consent of GST SYSTEME GmbH</p>	<p>A Measured by: _____</p>	<p>B Checked by: _____</p>	<p>Date: _____</p>	<p>C Valve / Tagno. _____</p>
	<p>Make: _____</p>	<p>Size: _____</p>	<p>Class: _____</p>	<p>Type: Ball / _____</p>
<p>PROJECT: _____</p>				<p>P.O. No: _____</p>
<p>Sketchnr. _____</p>				<p>FORM. NF9M005-0</p>
<p>BUTTERFLY VALVE FILL-IN SHEET</p>				<p>CREATED BY: PP CHECKED BY: _____</p>