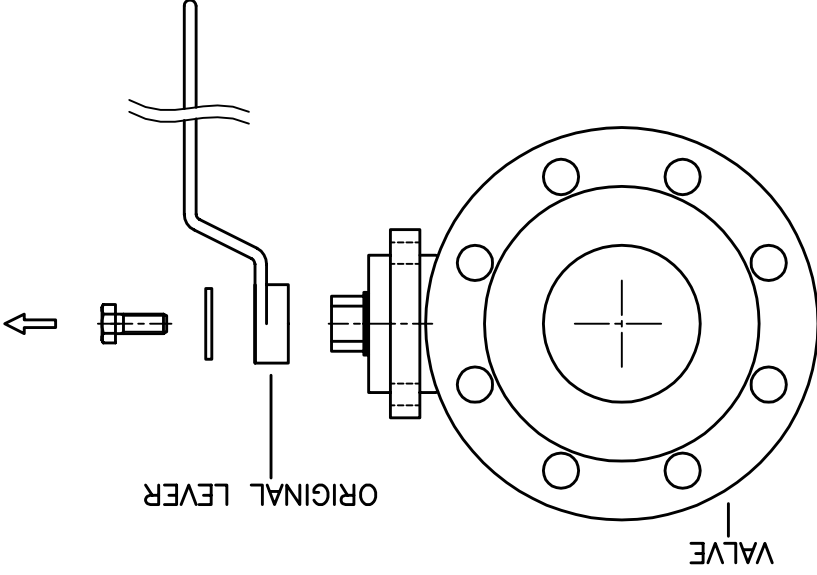


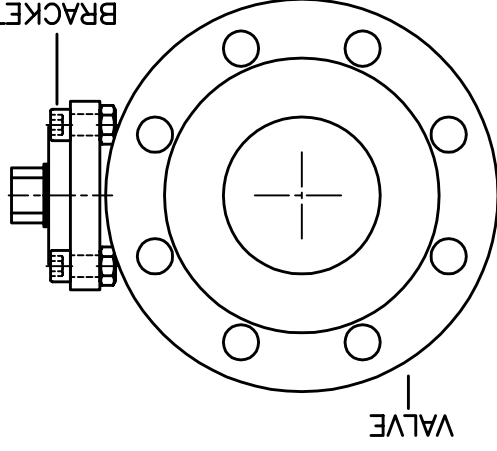
1

BE SURE IN WHAT POSITION THE VALVE IS, CLOSED OR OPEN.



2

TAKE THE ORIGINAL LEVER FROM THE VALVE.

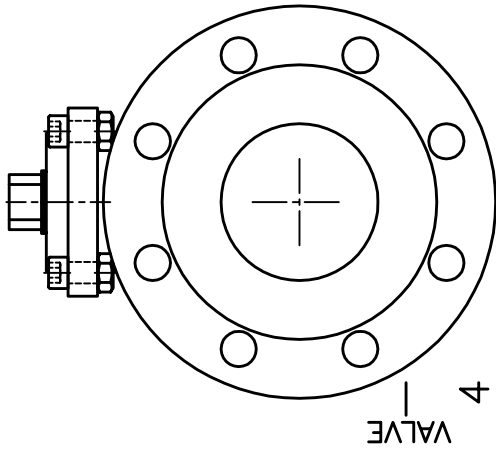
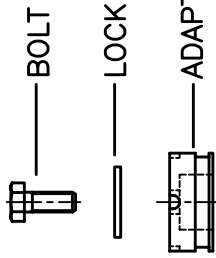


3

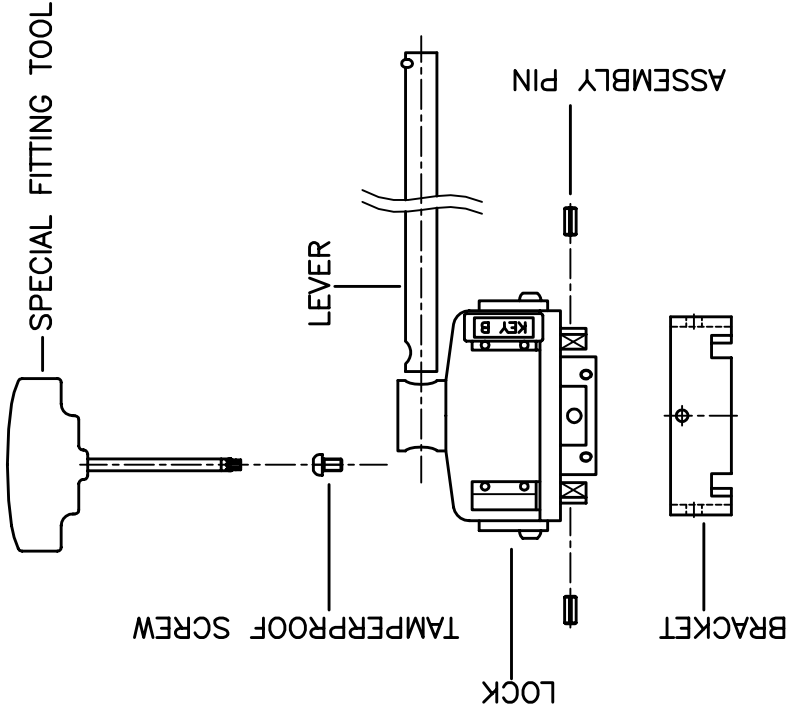
MOUNT THE BRACKET-SUPPORT, IF APPLICABLE.

BRACKET SUPPORT
SHAPE IS VARIOUS,
DEPENDING ON VALVE-TYPE
(USUALLY NOT APPLICABLE)

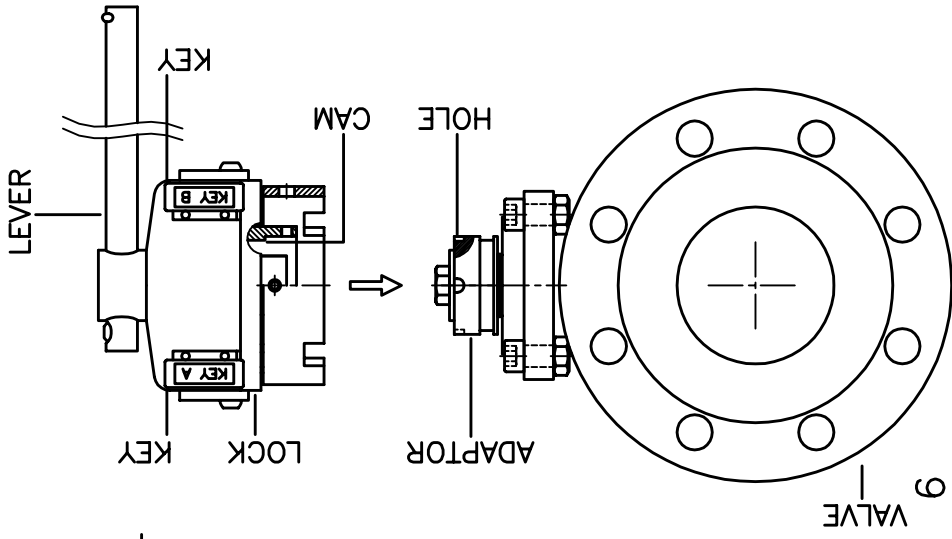
		Altemauerstraße 21, D-63517 Rodenbach Tel.: +49(0)6184/9507-0 E-Mail: info@gst-systeme.de Copyright GST-SYSTEME GmbH		Rev.	Drawn	Date	Checked
		Drawn	JP	Date: 03.09.1997	Checked		
Mounting Instruction for Ballvalve NDL Ninety Degree Lock Page 1 of 3							
Drawingnumber:						LS1200029R01	



MOUNT THE ADAPTOR ON THE VALVE STEM WITH THE ORIGINAL BOLT OR NUT AND LOCK WASHER.



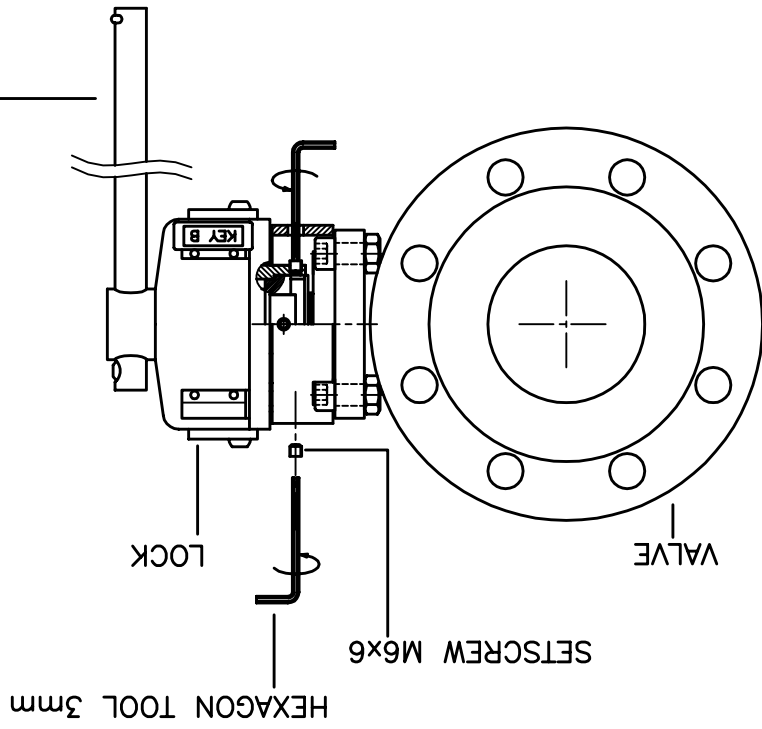
MOUNT THE LEVER WITH ONE TAMPERPROOF SCREW M6x10 AND MOUNT THE BRACKET WITH 4 ASSEMBLY PINS.



INSERT ALL (1 OR 2) KEYS IN THE LOCK AND PLACE IT ON THE ADAPTOR WITH THE KEYS IN FLOW DIRECTION AND LEVER IN THE CORRECT POSITION (CLOSED OR OPEN): BE SURE THAT THE CAMS OF THE LOCK FALL INTO THE HOLES OF THE ADAPTOR

		Altenauerstraße 21, D-63571 Redersbach Tel.: +49(0)6184/9507-0 E-Mail: info@gst-systeme.de Copyright GST-SYSTEME GmbH		Rev.	Drawn	Date	Checked
		Drawn: JP Date: 03.09.1997	Checked:	Mounting Instruction for Ballvalve NDL Ninety Degree Lock Page 2 of 3		Drawingnumber: LS1200030R01	

LEVER IN THE (LOCKED) CLOSED POSITION (AT RIGHT ANGLES TO THE FLOW DIRECTION).

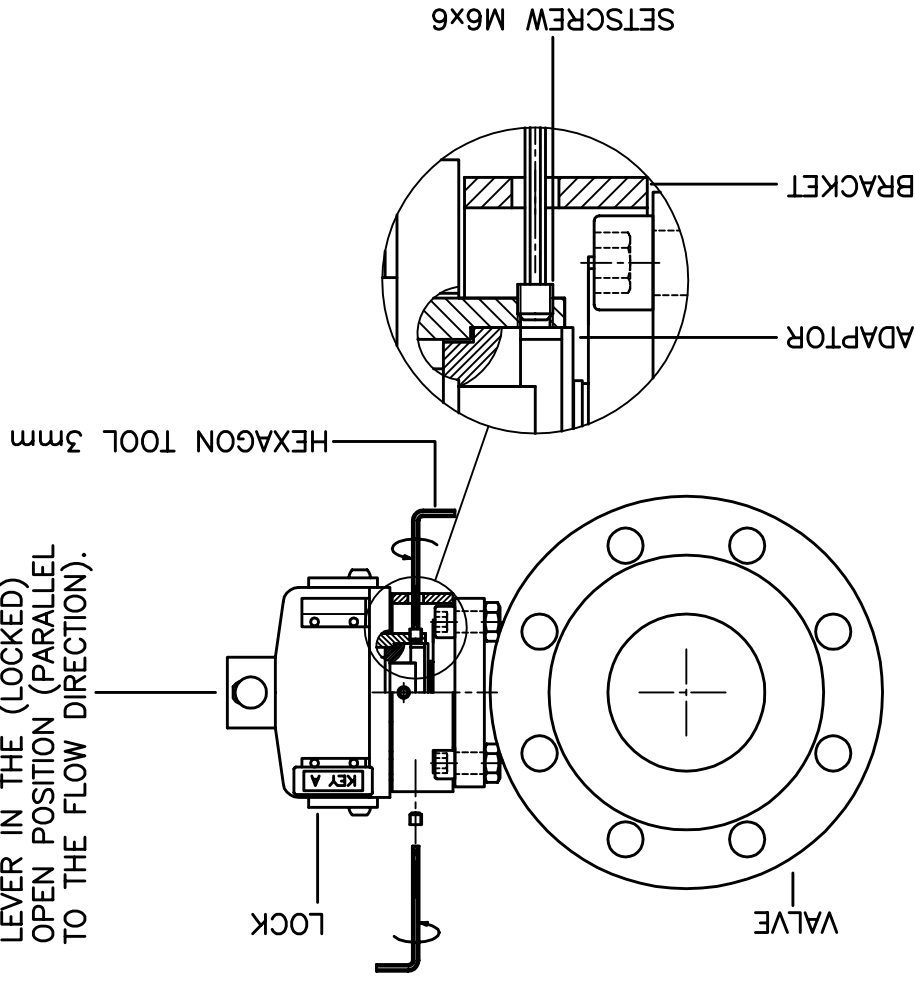


7

ATTACH THE LOCK TO THE ADAPTOR THROUGH 2 HOLES IN THE BRACKET WITH 2 SETSCREWS M6x6.

IF THE VALVE IS CLOSED THE LEFT (CLOSE) KEY CAN BE RELEASED.

LEVER IN THE (LOCKED) OPEN POSITION (PARALLEL TO THE FLOW DIRECTION).



8

INSERT ALL (1 OR 2) KEYS IN THE LOCK AND OPERATE THE VALVE (TURN 90°). MOUNT THE OTHER 2 SETSCREWS

IF THE VALVE IS OPEN THE RIGHT (OPEN) KEY CAN BE RELEASED.



Altenauerstraße 21, D-63571 Redersbach
Tel.: +49(0)6184/9507-0
E-Mail: info@gst-systeme.de
Copyright GST-SYSTEME GmbH

Drawn: JP Date: 03.09.1997 Checked:

Mounting Instruction for Ballvalve
NDL Ninety Degree Lock
Page 3 of 3

Drawingnumber: LS1200031R01